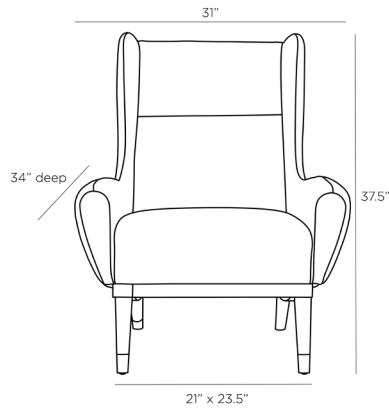


ARTERIOS

OPHELIA LOUNGE CHAIR



8123

H: 37.5 IN, W: 31 IN, D: 34 IN

Fossil Tweed

Contract Suitable As Is

The traditional silhouette of the wingback chair gets a mid-century modern update. Slighter wings, a swooping back curve and gracious arm lines maintain the elegance of the wingback style, with a modern twist. Fossil tweed, tapered dark walnut wood legs and antique brass iron-capped feet give the chair even more elevated styling. Leather and finish will vary.

APPEARANCE

Material	Iron Sheet, Tweed, Wood
Finish	Antique Brass, Dark Walnut, Fossil
Finish Will Vary	true
Top Coat/Sealant	false

DIMENSIONS

Arm	H: 21.5 IN, W: 4.5 IN, D: 22 IN
Foot Print	W: 21 IN, D: 23.5 IN
Yardage To Reupholster	4.1
Leg Height	8.5 IN
Seat Back Height	20.5 IN
Seat	W: 20.5 IN, D: 21 IN
Seat Height	18 IN
Seat	W: 20.5 IN, D: 21 IN

SHIPPING

Shipping Requirements	TruckShip
Product Weight	50 LBS
Gross Weight 1	65 LBS
Shipping Box 1	H: 40 IN, L: 35 IN, W: 38 IN

ADDITIONAL INFO

Fabric Composition	100% Polyester
Fabric Double Rub Count	40,000
Fabric Compliancy	NFPA-260, TB117-2013

CONTRACT

Contract Suitable	true
Contract Textile Suitability	Low Traffic/Private Spaces
Swatch Number	X14SW